

QA4

QA4

Panel cut-out (mm)	Ø 6.1
Characteristics	<ul style="list-style-type: none">■ for use with V4N/V4NC series■ long overtravel up to 5 mm■ simple clip-on attachment
Rating	250 VAC, 5 A
Dimensions (mm)	20 × 6.45 × 38.3
Actuator	<ul style="list-style-type: none">■ stainless steel plunger■ polyamide (PA 6.6) plunger
Approvals	UL, CSA



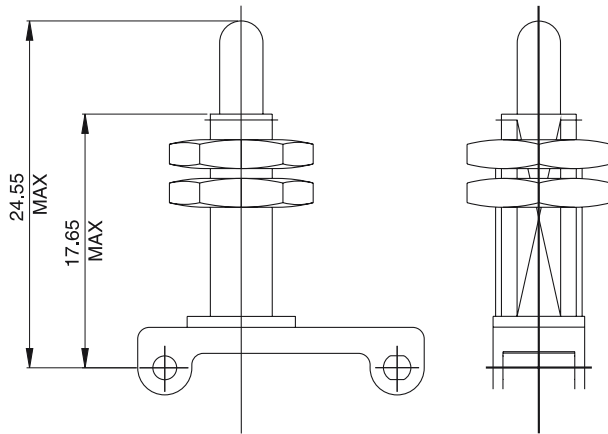
Preferred Range

Ordering Reference	Basic switch	Actuator kit
	V4NCT7UL	QA4

Specifications

Clip-on frame	Glass fibre reinforced polyamide (PA 6.6)
Locknut	Brass nickel plate
Plunger	Stainless steel (QA4)
Basic switches	V4N
Temperature range °C	-10°C to +85°C
Mechanical Life	5 × 10 ⁶ cycles minimum (Mechanism 2 × 10 ⁶ cycles minimum) (Impact free actuation)
Mounting mm (in)	Single hole ∅ 6.4 (0.25) suitable for panels up to 8.0 (0.3) thick
Torque max. Nm	0.4 to be applied to locknut

Dimensions QA4



Cinfiguration

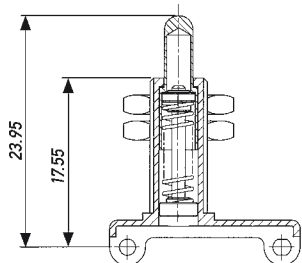
Basic switch V4NC...
V4N...

Ordering Reference

Actuator kit QA4

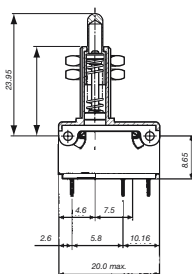
without insert switch

Example: QA4 QV4NCT7



With insert switch

Q followed by switch reference
 V4NC... See pages 52 to 55
 V4N... See pages 56 to 59
 Example reference: QV4NCT7



Special Features



TH-Contact specialise in customer specific solutions.
 Additional product variants are available or can be provided.
 If your requirements cannot be satisfied from the options listed,
 please contact www.saia-burgess.com or your local SB outlet.